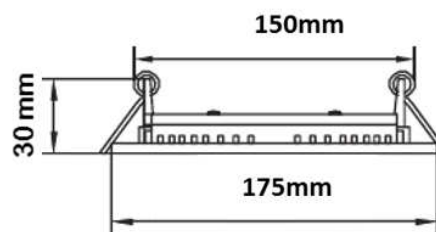


17W LED Down Light (Square)



Dimension:



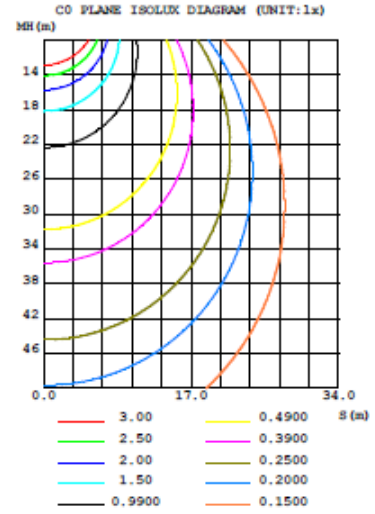
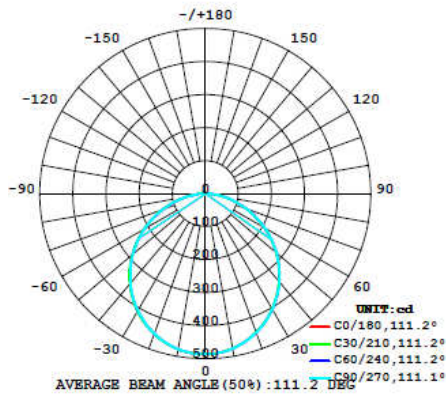
Specification

Model No.	LKM-DLNS27S1728
Input Voltage	AC150-240V
Rated Power	17W±10%
Luminous Flux	1700lm
Luminous Efficiency	100 lm/W
Color Temperature (CCT)	4000±500K
CRI	Ra80
Working Temperature Rang	-20°C~ +40°C
Power Factor	>0.5
Life Time	≥ 15000 hrs
Beam angle	120°
Cut-out	150*150mm
Dimensions(Dia*H) /Weight	175.0*175.0*30.0 mm / 180±20 g
LED driver	Fixed output
Materials	Thermally Conductive Plastic / PC Diffuser

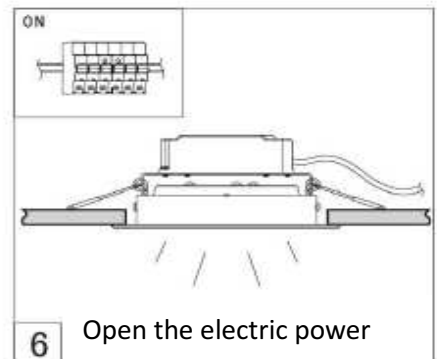
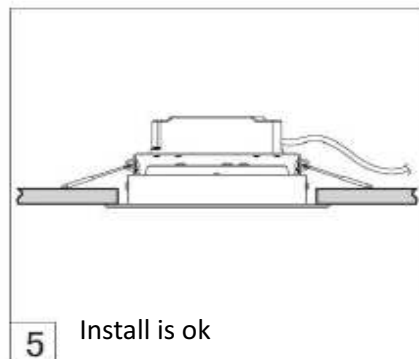
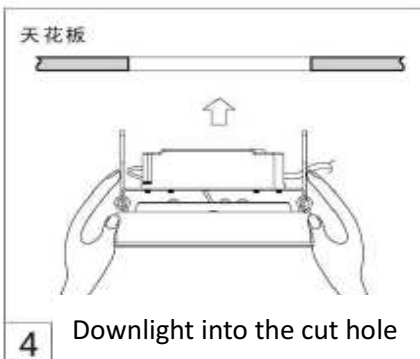
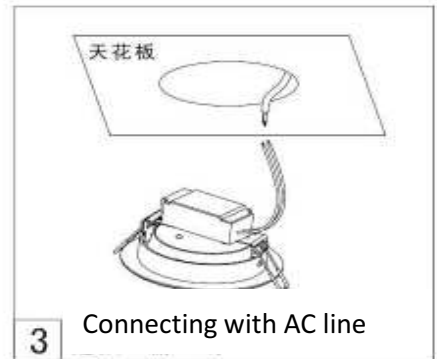
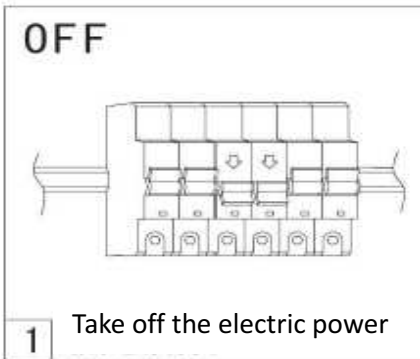
Remarks

- 1.The tolerance of luminous flux is ±10%. 2.The dimension tolerance is ±5mm.
- 3.The appearance and specifications of the product may be modified for improvement without notice.
- 4.All parameters of products are based on the measurement of Laster Tech laboratory.

Light Distribution Curve



Installation Instruction



Attention

1. Don't expose this luminaire at the high temperature and high humidity environment.
2. Don't connect this luminaire to the higher voltage than maximum input voltage as specification, otherwise the diver will be damaged. The maximum input voltage for AC150~240V/50~60Hz
- 3 After opening the box, check inside all the accessories that need to be set up.
4. Any material used to fix and support the lighting should be strong and non to ensure safety.
5. When installing the lighting, please make sure the safety space above the lighting up to the ceiling.
(The suggested minimum distance is 35cm.) Keep the lighting away from any flammable items and make Sure the ventilation is good.
6. Start the installation or maintenance only after disconnecting the power.
7. To ensure safety, the installation is suggested to be done by professional technicians.

Package

Packing	Dimension(mm)	Quantity(pcs)
Large Carton	625*430*380	60