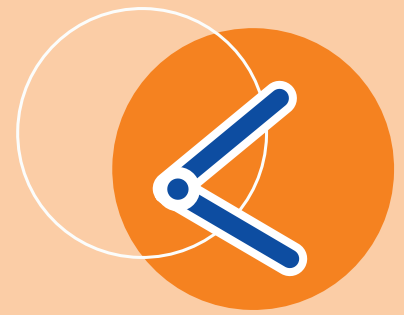


# LED GROW LIGHT



Foldable

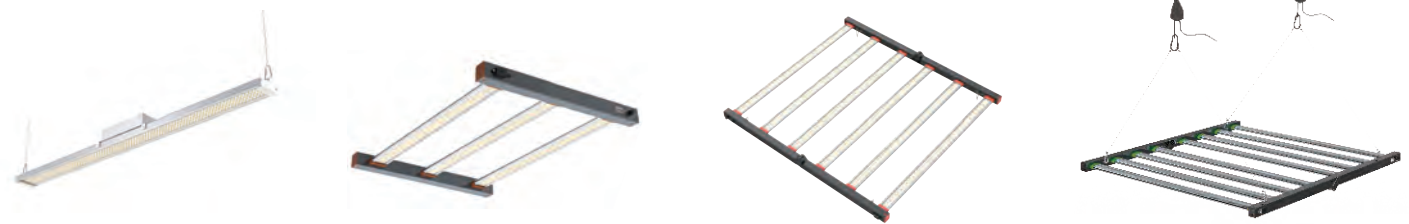


The LED grow light adopts profile process to conduct heat from the leds and driver to the air, which greatly extends the fixtures lifespan and reduces maintenance costs.



## FEATURES

- Built-in driver design, more compact to save space.
- Better heat dissipation performance, more uniformity light through the canopy.
- Foldable design, take up less transportation space, more freight saving.
- Over 2.7 $\mu$ mol/j, higher efficacy, higher yield.
- Full spectrum UV&IR version optional.
- Group control RJ 14 port and Knob dimmer both available.
- Suitable for damp location, no irrigating concerns.
- 5 years warranty, quality and reputation assurance.



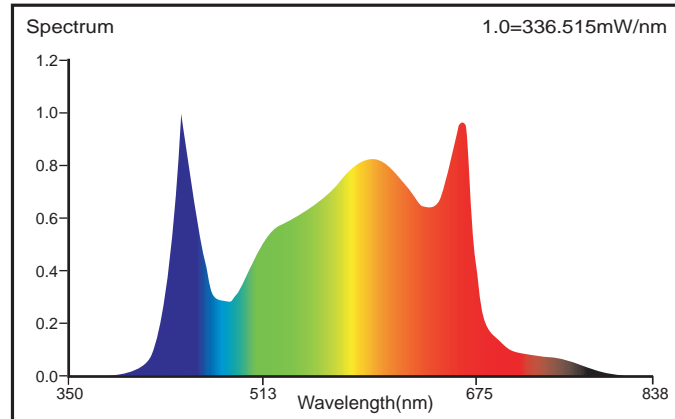
## APPLICATION

Suitable for individual tent growers, and especially suitable for large-scale indoor cultivation, industrial planting, vertical farms, hydroponics lighting, etc.

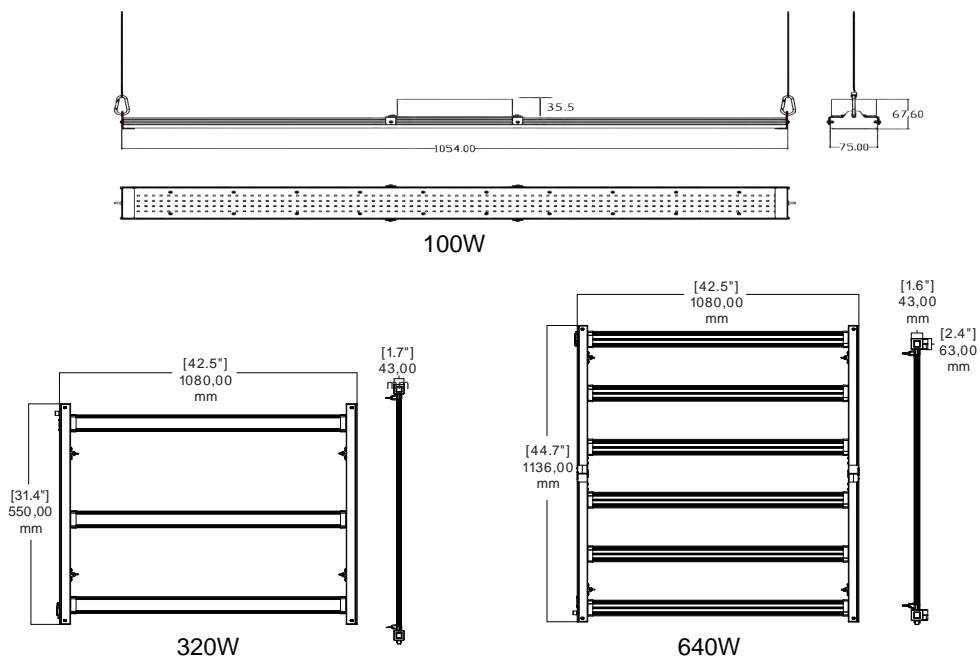
## PERFORMANCE DATA

Model	LOK-GL-F100W	LOK-GL-F320W	LOK-GL-F640W
PPF	270 $\mu$ mol/s	864 $\mu$ mol/s	1728 $\mu$ mol/s
Driver Brand	Sosen (or other driver with UL certification)	Sosen (or other driver with UL certification)	Sosen (or other driver with UL certification)
Input Voltage	AC120-277V, 50/60Hz		
PPF Efficacy	2.45 $\mu$ mol / J $\pm$ 5%	2.5 $\mu$ mol / J $\pm$ 5%	2.5 $\mu$ mol / J $\pm$ 5%
Spectrum	Full Spectrum 3000K+5000K+660nm+730nm		
LED Chip	Sanan		
Light Distribution	120°		
Housing Color	Silver		
Operating Temp	45°C /113°F		
IP Rating	IP54 (knob only)		
PF	> 0.9		
Dimming	Knob dimmer & RJ14 port (Exclude 100W)		
Warranty	5 Years		

**SPECTRUM**



**DIMENSION**



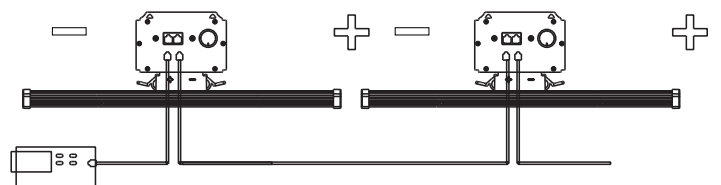
**PACKING**

Model	Produce size(mm)	Carton size(mm)	Net Weight(Kg)	Qty/ctn	Gross Weight(Kg)	Remark
100W	1054*75*67 (1bar)	1100*115*108 (1bar)	2.8	1PCS	3.3	Including accessories
320W	1080*550*63 (3bar)	1120*590*100 (3bar)	3.5	1PCS	5.0	
640W	1080*1136*63 (6bar)	1120*1180*100 (3bar)	6.84	1PCS	9.04	

**CONTROL**

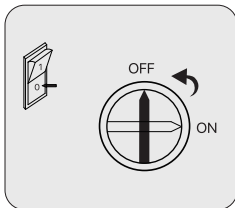
**NOTE:**

If you want to dim the lights with controller, please rotate the dimmable knob to "EXT", then insert the RJ network cable, plug the RJ14 end into the port of the controller. Use an interconnect network cable to connect RJ14 splitter to another on the LED fixture. Controlled up to 100pcs fixtures.

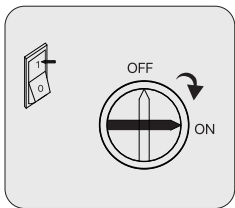


## INSTALLATION

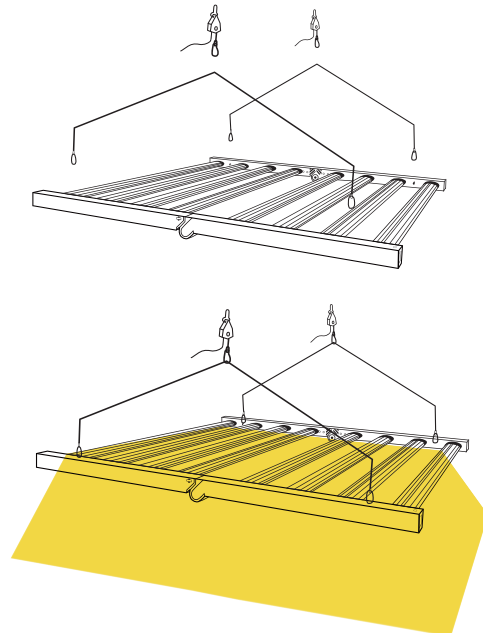
check whether it concerns an AC(Alternating Current)based or DC(Direct Current) based system.



▲ Caution:  
Switch Off the Power Supply



▲ Caution:  
1. Turn power Off During Installation.  
2. Do Not Connect Or Disconnect Under Load.  
3. Caution Risk of Fire.

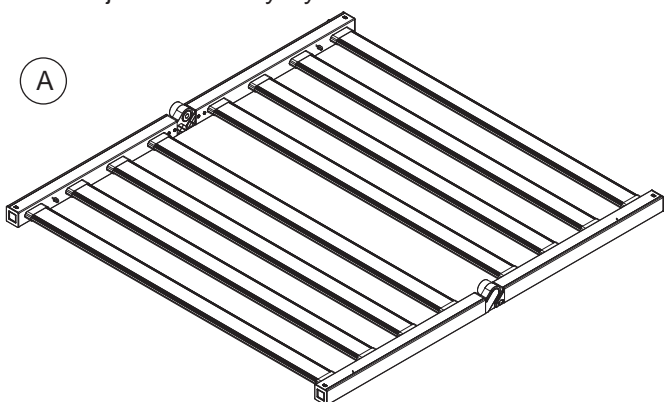


- 1.To protect the surface of the fixture from scratch,please handle the package with care during the transportation and storage. Do not place heavy item above the package.
- 2.Do not let the product surface friction with other hard objects or fall on the floor.
- 3.Make sure the fixture is securely mounted.The connection of all the wires must have insulation protection.
- 4.The appropriate waterproof measurements are required when connecting the driver externally.
- 5.The operating voltage range of this product is between 100VAC to 277VAC(in 50/60Hz).Please do not use the luminaire out of this range.

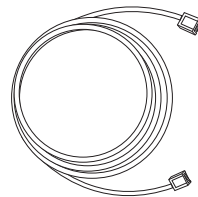
## PARTS LIST

Pre-configured with:

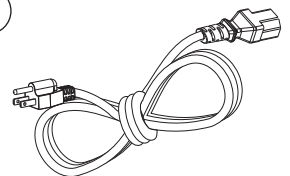
- A. LED grow light fixture x1
- B. External RJ14 Network cable x1 (Exclude 100W)
- C. Input Power cord x1
- D. Hanging Cord with carabiners x2
- E. Adjustable Pulley System x2



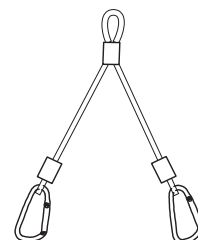
(B)



(C)



(D)



(E)

