



LON-ECO

Mini Series

Standard Series

Professional Series

Advanced Series

Industrial LED Hi-bay/ Flood light / Spot light

40W/60W/80W/100W/170W/200W

45W/60W/85W/105W/135W/150W/210W/270W/300W

200W/220W/250W/280W/420W/560W

220W/250W/280W/420W/560W





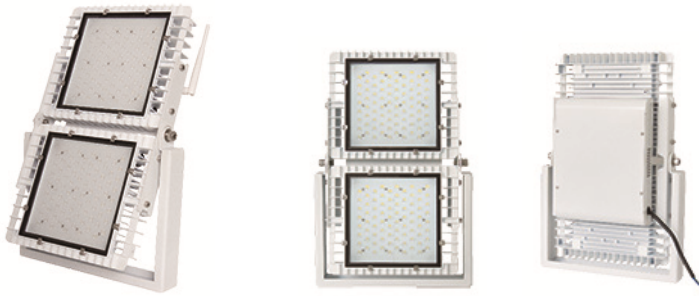
LON-ECO Mini
Compact Series

40W~100W
CRI>=80, Up to 105 lm/w
Smart control available

LON-ECO Mini Compact Series (40W~100W)				
Model No.	LON-E11C 040SOxxxxx	LON-E11C 060SOxxxxx	LON-E11C 080SOxxxxx	LON-E11C 100SOxxxxx
System Watts	40W±5%	60W±5%	80W±5%	100W±5%
LED Chip	OSRAM / Lumileds			
CRI	Ra ≥ 80			
LED nos.	48pcs	64pcs	80pcs	
Total Lumens (Cool-White)	≥ 4,200 (≥ 105lm/W)	≥ 6,300 (≥ 105lm/W)	≥ 8,400 (≥ 105lm/W)	≥ 10,500 (≥ 105lm/W)
Total Lumens (Natural-White)	(≥ 100lm/W)			
Total Lumens (Warm-White)	(≥ 95lm/W)			
Drivers	MeanWell ELG / HLG / NPF series LED Driver, 1~10V Dimmable			
AC Input	90~264V / 90~305V			
Operation Temp.	-40°C ~50°C			
Storage Temp.	-40°C ~80°C			
IP Rating	IP66			
Beam Angles	12° / 15° / 30° / 60° / 80° / 110° (7° Optional)			
Color Temp.	Warm White(3000K) / Natural White(4000K) / Cool White(5000K)			
Dimensions	220x82x220mm			
Weight	2.4kg	2.6kg	2.8kg	2.9kg
Material	Die-casting Aluminum Heat Sink White painting, MCPCB, PC Lens, Tempered proof glass cover, Stainless standard bracket			
Surge Protection	SPD Meets ANSI C136.2 Enhanced Level 10kV/5kA (20kV Optional)			
Smart Controlling	DALI supported via Meanwell DALI converter / Support ECO-Link(Optional)			
Warranty	5 Years, LifeSpan>50,000 hrs			

Remarks

- 1.The tolerance of luminous flux is ±10%.
- 2.The dimension tolerance is ±5mm.
- 3."xxx" in Model No. represents different lighting distribution.
- 4."x" in Model No. represents different Color Temp..
- 5."x" in Model No. represents different CRI.
- 6.All parameters of products are based on the measurement of Laster Tech laboratory.
- 7.The appearance and specifications of the product may be modified for improvement without notice.



LON-ECO Mini
Twin Series

170W~200W
CRI>=80, Up to 105 lm/w
Smart control available

LON-ECO Mini Twin Series (170W~200W)		
Model No.	LON-E11C170SOxxxxx	LON-E11C200SOxxxxx
System Watts	170W±5%	200W±5%
LED Chip	OSRAM / Lumileds	
CRI	Ra ≥ 80	
LED nos.	160pcs	
Total Lumens (Cool-White)	≥ 17,850 (≥ 105lm/W)	≥ 21,000 (≥ 105lm/W)
Total Lumens (Natural-White)	(≥ 100lm/W)	
Total Lumens (Warm-White)	(≥ 95lm/W)	
Drivers	MeanWell ELG / HLG / NPF series LED Driver, 1~10V Dimmable	
AC Input	90~264V / 90~305V	
Operation Temp.	-40°C ~50°C	
Storage Temp.	-40°C ~80°C	
IP Rating	IP66	
Beam Angles	12° / 15° / 30° / 60° / 80° / 110° (7° Optional)	
Color Temp.	Warm White(3000K) / Natural White(4000K) / Cool White(5000K)	
Dimensions	480x97x320mm	
Weight	7.44kg	
Material	Die-casting Aluminum Heat Sink White painting, MCPCB, PC Lens, Tempered proof glass cover, Stainless standard bracket	
Surge Protection	SPD Meets ANSI C136.2 Enhanced Level 10kV/5kA (20kV Optional)	
Smart Controlling	DALI supported via Meanwell DALI converter / Support ECO-Link(Optional)	
Warranty	5 Years, LifeSpan>50,000 hrs	

Remarks

- 1.The tolerance of luminous flux is ±10%.
- 2.The dimension tolerance is ±5mm.
- 3."xxx" in Model No. represents different lighting distribution.
- 4."x" in Model No. represents different Color Temp..
- 5."x" in Model No. represents different CRI.
- 6.All parameters of products are based on the measurement of Laster Tech laboratory.
- 7.The appearance and specifications of the product may be modified for improvement without notice.



LON-ECO Standard
Compact Series

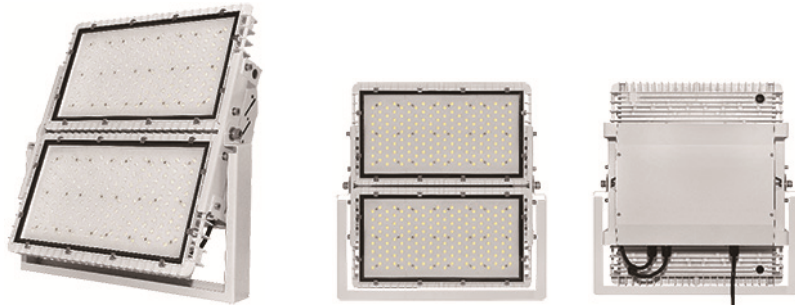
45W~150W
CRI>=80, Up to 106 lm/w
Smart control available

LON-ECO Standard Compact Series (45W~150W)

Model No.	LON-E10C 045SOxxxxx	LON-E10C 060SOxxxxx	LON-E10C 085SOxxxxx	LON-E10C 105SOxxxxx	LON-E10C 135SOxxxxx	LON-E10C 150SOxxxxx
System Watts	45W±5%	60W±5%	85W±5%	105W±5%	135W±5%	150W±5%
LED Chip	OSRAM / Lumileds					
CRI	Ra ≥ 80					
LED nos.	64pcs	96pcs	128pcs	160pcs		
Total Lumens (Cool-White)	≥ 4,700 (≥ 106lm/W)	≥ 6,300 (≥ 106lm/W)	≥ 9,010 (≥ 106lm/W)	≥ 11,500 (≥ 110lm/W)	≥ 14,850 (≥ 110lm/W)	≥ 16,500 (≥ 110lm/W)
Total Lumens (Natural-White)	(≥ 100lm/W)			(≥ 105lm/W)		
Total Lumens (Warm-White)	(≥ 95lm/W)			(≥ 100lm/W)		
Drivers	MeanWell ELG / HLG series LED Driver, 1~10V Dimmable					
AC Input	90~305V / 180~528V(Optional)					
Operation Temp.	-40°C ~50°C					
Storage Temp.	-40°C ~80°C					
IP Rating	IP66					
Beam Angles	12° / 15° / 30° / 60° / 80° / 110°					
Color Temp.	Warm White(3000K) / Natural White(4000K) / Cool White(5000K)					
Dimensions	402x102x300mm					
Weight	3.7kg	3.7kg	3.7kg	3.7kg	4.0kg	4.2kg
Material	Die-casting Aluminum Heat Sink White painting, MCPCB, PC Lens, Tempered proof glass cover, Stainless standard bracket / Multi-function rotary bracket(optional)					
Surge Protection	SPD Meets ANSI C136.2 Enhanced Level 10kV/5kA (20kV Optional)					
Smart Controlling	DALI supported via Meanwell DALI converter / Support ECO-Link(Optional)					
Warranty	5 Years, LifeSpan>50,000 hrs					
Passed the Test	Passed 360 hrs salty spray test, 3G vibration test, >62m/sec wind pressure test					

Remarks

- 1.The tolerance of luminous flux is ±10%.
- 2.The dimension tolerance is ±5mm.
- 3."xxx" in Model No. represents different lighting distribution.
- 4."x" in Model No. represents different Color Temp..
- 5."x" in Model No. represents different CRI.
- 6.All parameters of products are based on the measurement of Laster Tech laboratory.
- 7.The appearance and specifications of the product may be modified for improvement without notice.



LON-ECO Standard

Twin Series

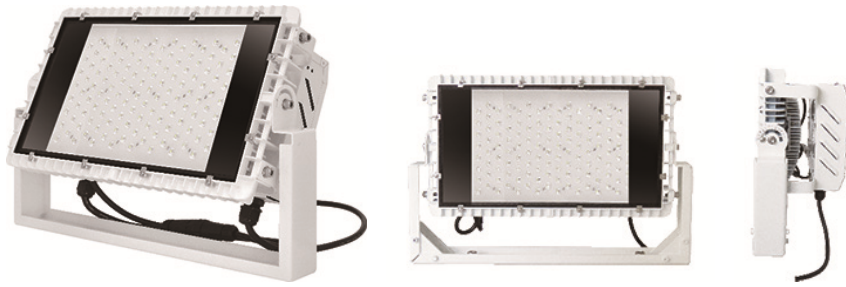
210W~300W
CRI \geq 80, Up to 110 lm/w
Smart control available

LON-ECO Standard Twin Series (210W~300W)

LON-ECO Standard Twin Series (210W~300W)			
Model No.	LON-E10C210SOxxxxx	LON-E10C270SOxxxxx	LON-E10C300SOxxxxx
System Watts	210W \pm 5%	270W \pm 5%	300W \pm 5%
LED Chip	OSRAM / Lumileds		
CRI	Ra \geq 80		
LED nos.	320pcs		
Total Lumens (Cool-White)	\geq 23,000 (\geq 110lm/W)	\geq 29,500 (\geq 110lm/W)	\geq 33,000 (\geq 110lm/W)
Total Lumens (Natural-White)	(\geq 105lm/W)		
Total Lumens (Warm-White)	(\geq 100lm/W)		
Drivers	MeanWell ELG / HLG series LED Driver, 1~10V Dimmable		
AC Input	90~305V / 180~528V(Optional)		
Operation Temp.	-40 $^{\circ}$ C ~50 $^{\circ}$ C		
Storage Temp.	-40 $^{\circ}$ C ~80 $^{\circ}$ C		
IP Rating	IP66		
Beam Angles	12 $^{\circ}$ / 15 $^{\circ}$ / 30 $^{\circ}$ / 60 $^{\circ}$ / 80 $^{\circ}$ / 110 $^{\circ}$		
Color Temp.	Warm White(3000K) / Natural White(4000K) / Cool White(5000K)		
Dimensions	436x172x473mm		
Weight	12.8kg	13.8kg	14.8kg
Material	Die-casting Aluminum Heat Sink White painting, MCPCB, PC Lens, Tempered proof glass cover, Stainless standard bracket / Multi-function rotary bracket(optional)		
Surge Protection	SPD Meets ANSI C136.2 Enhanced Level 10kV/5kA (20kV Optional)		
Smart Controlling	DALI supported via Meanwell DALI converter / Support ECO-Link(Optional)		
Warranty	5 Years, LifeSpan>50,000 hrs		
Passed the Test	Passed 360 hrs salty spray test, 3G vibration test, >62m/sec wind pressure test		

Remarks

- 1.The tolerance of luminous flux is \pm 10%.
- 2.The dimension tolerance is \pm 5mm.
- 3."xxx" in Model No. represents different lighting distribution.
- 4."x" in Model No. represents different Color Temp..
- 5."x" in Model No. represents different CRI.
- 6.All parameters of products are based on the measurement of Laster Tech laboratory.
- 7.The appearance and specifications of the product may be modified for improvement without notice.



LON-ECO Professional
Compact Series

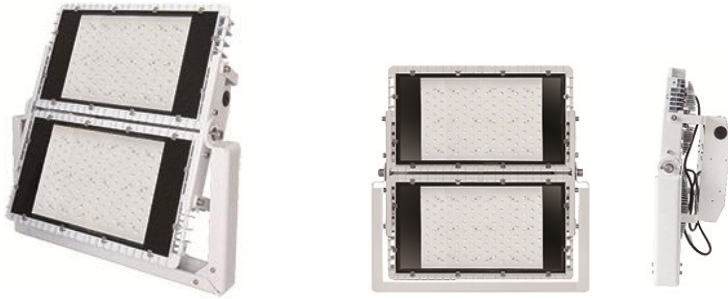
200W~280W
CRI ≥ 70, Up to 110 lm/w
Smart control available

LON-ECO Professional Compact Series (200W~280W)

Model No.	LON-E10C 200SNxxxxx	LON-E10C 220SNxxxxx	LON-E10C 250SNxxxxx	LON-E10C 280SNxxxxx
System Watts	200W±5%	220W±5%	250W±5%	280W±5%
LED Chip	Nichia / CREE			
CRI	Ra ≥ 70 / Ra ≥ 80(4000K, 3000K)			
LED nos.	96pcs	96pcs	112pcs	128pcs
Total Lumens (Cool-White)	≥ 22,000 (≥ 110lm/W)	≥ 24,000 (≥ 110lm/W)	≥ 27,500 (≥ 110lm/W)	≥ 30,500 (≥ 110lm/W)
Total Lumens (Natural-White)	(≥ 105lm/W)			
Total Lumens (Warm-White)	(≥ 100lm/W)			
Drivers	MeanWell HLG / HVG series LED Driver, 1~10V Dimmable			
AC Input	90~305V / 180~528V(Optional)			
Operation Temp.	-40°C ~50°C			
Storage Temp.	-40°C ~80°C			
IP Rating	IP66			
Beam Angles	12° / 15° / 30° / 60° / 80° / 110°			
Color Temp.	Warm White(3000K) / Natural White(4000K) / Cool White(5000K)			
Dimensions	439x172x260mm			
Weight	8.0kg	8.0kg	8.2kg	8.4kg
Material	Die-casting Aluminum Heat Sink White painting, MCPCB, PC Lens, Tempered proof glass cover, Stainless standard bracket / Multi-function rotary bracket(optional)			
Surge Protection	SPD Meets ANSI C136.2 Enhanced Level 10kV/5kA (20kV Optional)			
Smart Controlling	DALI supported via Meanwell DALI converter / Support ECO-Link(Optional)			
Warranty	5 Years, LifeSpan>50,000 hrs			
Passed the Test	Passed 360 hrs salty spray test, 3G vibration test, >62m/sec wind pressure test			

Remarks

- 1.The tolerance of luminous flux is ±10%.
- 2.The dimension tolerance is ±5mm.
- 3."xxx" in Model No. represents different lighting distribution.
- 4."x" in Model No. represents different Color Temp..
- 5."x" in Model No. represents different CRI.
- 6.All parameters of products are based on the measurement of Laster Tech laboratory.
- 7.The appearance and specifications of the product may be modified for improvement without notice.



LON-ECO Professional Twin Series

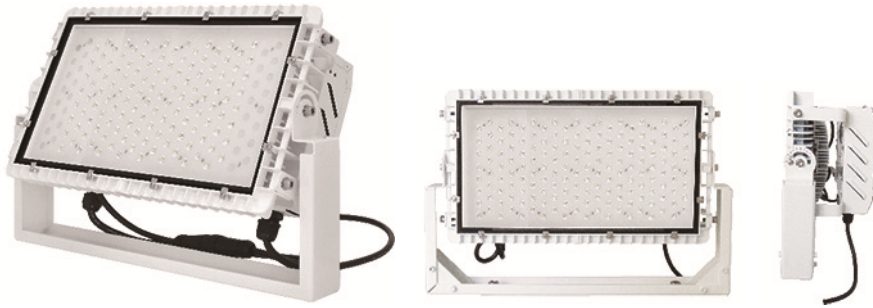
420W~560W
CRI \geq 70, Up to 110 lm/w
Smart control available

LON-ECO Professional Twin Series (420W~560W)

LON-ECO Professional Twin Series (420W~560W)		
Model No.	LON-E10C420SNxxxxx	LON-E10C560SNxxxxx
System Watts	420W \pm 5%	560W \pm 5%
LED Chip	Nichia / CREE	
CRI	Ra \geq 70 / Ra \geq 80(4000K, 3000K)	
LED nos.	192pcs	256pcs
Total Lumens (Cool-White)	\geq 14,850 (\geq 110lm/W)	\geq 16,500 (\geq 110lm/W)
Total Lumens (Natural-White)	(\geq 105lm/W)	
Total Lumens (Warm-White)	(\geq 100lm/W)	
Drivers	MeanWell HLG / HVG series LED Driver, 1~10V Dimmable	
AC Input	90~305V / 180~528V(Optional)	
Operation Temp.	-40 $^{\circ}$ C ~50 $^{\circ}$ C	
Storage Temp.	-40 $^{\circ}$ C ~80 $^{\circ}$ C	
IP Rating	IP66	
Beam Angles	12 $^{\circ}$ / 15 $^{\circ}$ / 30 $^{\circ}$ / 60 $^{\circ}$ / 80 $^{\circ}$ / 110 $^{\circ}$	
Color Temp.	Warm White(3000K) / Natural White(4000K) / Cool White(5000K)	
Dimensions	436x172x473mm	
Weight	17.8kg	18.0kg
Material	Die-casting Aluminum Heat Sink White painting, MCPCB, PC Lens, Tempered proof glass cover, Stainless standard bracket / Multi-function rotary bracket(optional)	
Surge Protection	SPD Meets ANSI C136.2 Enhanced Level 10kV/5kA (20kV Optional)	
Smart Controlling	DALI supported via Meanwell DALI converter / Support ECO-Link(Optional)	
Warranty	5 Years, LifeSpan>50,000 hrs	
Passed the Test	Passed 360 hrs salty spray test, 3G vibration test, >62m/sec wind pressure test	

Remarks

- 1.The tolerance of luminous flux is \pm 10%.
- 2.The dimension tolerance is \pm 5mm.
- 3."xxx" in Model No. represents different lighting distribution.
- 4."x" in Model No. represents different Color Temp..
- 5."x" in Model No. represents different CRI.
- 6.All parameters of products are based on the measurement of Laster Tech laboratory.
- 7.The appearance and specifications of the product may be modified for improvement without notice.



LON-ECO Advanced
Compact Series

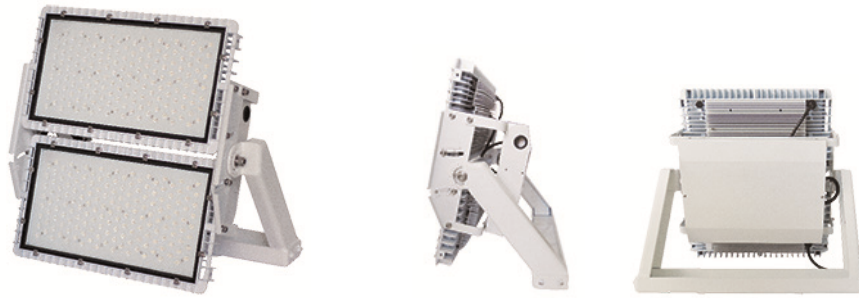
220W~280W
CRI \geq 70, Up to 120 lm/w
Smart control available

LON-ECO Advanced Compact Series (220W~280W)

Model No.	LON-E10C220SNxxxxx-A	LON-E10C250SNxxxxx-A	LON-E10C280SNxxxxx-A
System Watts	220W \pm 5%	250W \pm 5%	280W \pm 5%
LED Chip	Nichia / CREE		
CRI	Ra \geq 70 / Ra \geq 80(4000K, 3000K)		
LED nos.	128pcs	144pcs	160pcs
Total Lumens (Cool-White)	\geq 26,400 (\geq 120lm/W)	\geq 30,000 (\geq 120lm/W)	\geq 33,500 (\geq 120lm/W)
Total Lumens (Natural-White)	(\geq 115lm/W)		
Total Lumens (Warm-White)	(\geq 110lm/W)		
Drivers	MeanWell HLG / HVG series LED Driver, 1~10V Dimmable		
AC Input	90~305V / 180~528V(Optional)		
Operation Temp.	-40 $^{\circ}$ C ~50 $^{\circ}$ C		
Storage Temp.	-40 $^{\circ}$ C ~80 $^{\circ}$ C		
IP Rating	IP66		
Beam Angles	12 $^{\circ}$ / 15 $^{\circ}$ / 30 $^{\circ}$ / 60 $^{\circ}$ / 80 $^{\circ}$ / 110 $^{\circ}$		
Color Temp.	Warm White(3000K) / Natural White(4000K) / Cool White(5000K)		
Dimensions	439x172x260mm		
Weight	8.4kg	8.6kg	8.8kg
Material	Die-casting Aluminum Heat Sink White painting, MCPCB, PC Lens, Tempered proof glass cover, Stainless standard bracket / Multi-function rotary bracket(optional)		
Surge Protection	SPD Meets ANSI C136.2 Enhanced Level 10kV/5kA (20kV Optional)		
Smart Controlling	DALI supported via Meanwell DALI converter / Support ECO-Link(Optional)		
Warranty	5 Years, LifeSpan>50,000 hrs		
Passed the Test	Passed 360 hrs salty spray test, 3G vibration test, >62m/sec wind pressure test		

Remarks

- 1.The tolerance of luminous flux is \pm 10%.
- 2.The dimension tolerance is \pm 5mm.
- 3."xxx" in Model No. represents different lighting distribution.
- 4."x" in Model No. represents different Color Temp..
- 5."x" in Model No. represents different CRI.
- 6.All parameters of products are based on the measurement of Laster Tech laboratory.
- 7.The appearance and specifications of the product may be modified for improvement without notice.



LON-ECO Advanced
Twin Series

420W~560W
CRI>=70, Up to 120 lm/w
Smart control available

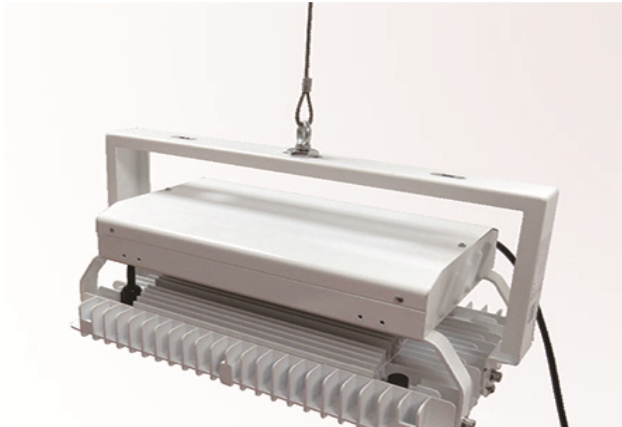
LON-ECO Advanced Twin Series (420W~560W)

Model No.	LON-E10C420SNxxxx-A	LON-E10C560SNxxxx-A
System Watts	420W±5%	560W±5%
LED Chip	Nichia / CREE	
CRI	Ra ≥ 70 / Ra ≥ 80(4000K, 3000K)	
LED nos.	256pcs	320pcs
Total Lumens (Cool-White)	≥ 50,400 (≥ 120lm/W)	≥ 67,000 (≥ 120lm/W)
Total Lumens (Natural-White)	(≥ 115lm/W)	
Total Lumens (Warm-White)	(≥ 110lm/W)	
Drivers	MeanWell HLG / HVG series LED Driver, 1~10V Dimmable	
AC Input	90~305V / 180~528V(Optional)	
Operation Temp.	-40°C~50°C	
Storage Temp.	-40°C~80°C	
IP Rating	IP66	
Beam Angles	12° / 15° / 30° / 60° / 80° / 110°	
Color Temp.	Warm White(3000K) / Natural White(4000K) / Cool White(5000K)	
Dimensions	480x220x510mm	
Weight	21.0kg	22.0kg
Material	Die-casting Aluminum Heat Sink White painting, MCPCB, PC Lens, Tempered proof glass cover, Stainless standard bracket / 30° Tilt bracket, Anti-corrosion, Anti-Vibration Independent rotary modules with angle mark	
Surge Protection	SPD Meets ANSI C136.2 Enhanced Level 10kV/5kA (20kV Optional)	
Smart Controlling	DALI supported via Meanwell DALI converter / Support ECO-Link(Optional)	
Warranty	5 Years, LifeSpan>50,000 hrs	
Passed the Test	Passed 360 hrs salty spray test, 3G vibration test, >62m/sec wind pressure test	

Remarks

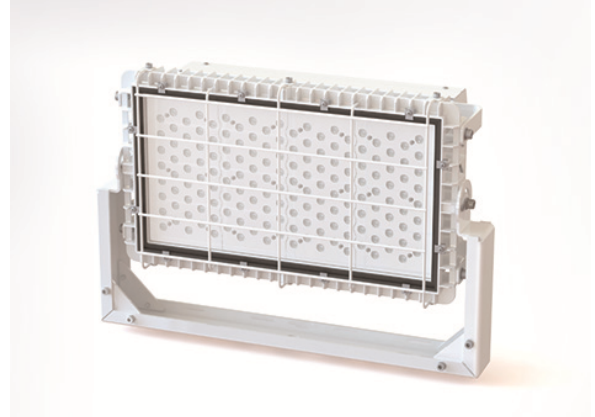
- 1.The tolerance of luminous flux is ±10%.
- 2.The dimension tolerance is ±5mm.
- 3."xxx" in Model No. represents different lighting distribution.
- 4."x" in Model No. represents different Color Temp..
- 5."x" in Model No. represents different CRI.
- 6.All parameters of products are based on the measurement of Laster Tech laboratory.
- 7.The appearance and specifications of the product may be modified for improvement without notice.

Pendant



Length : 60、80、100、120、305cm (optional)
Material : Stainless Steel, Length Adjustable

Wire Guard



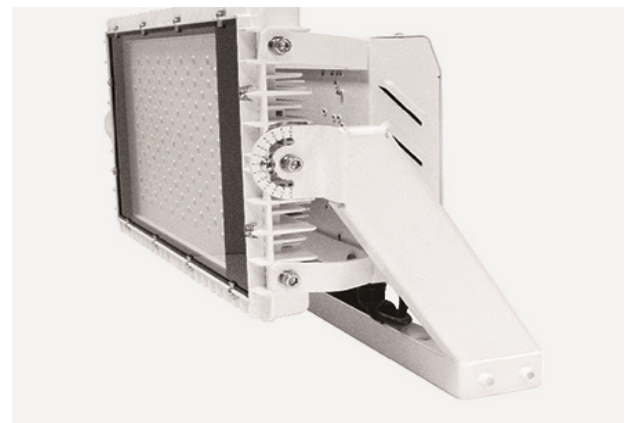
Dimensions : W323 x D221 x H33.5mm
Material : Stainless Steel

Stem



Length : 60、80、120cm (optional)
Material : Steel

30° Tilt Enhanced Bracket For Single Lamp



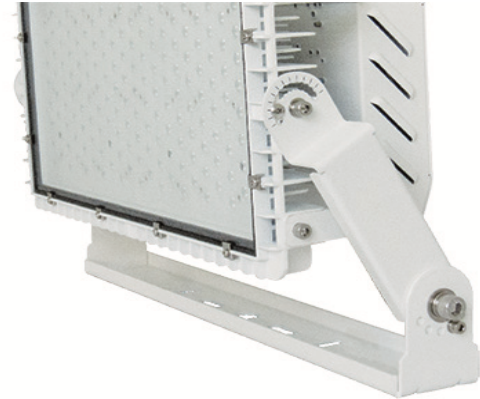
Dimensions : W452 x D188 x H194mm
Color : White / Black
Material: Stainless Steel, PVDF Coating

Pole Clamps



Dimensions : W120xD25xH120mm
Color : White / Black
Material: Stainless Steel

Multi-Function Rotary Bracket For Single Lamp



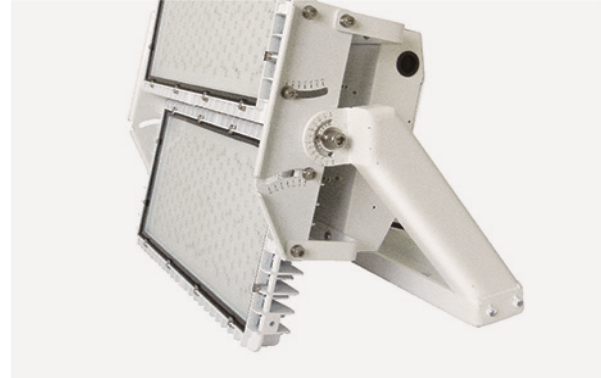
Dimensions : W440 x D60 x H235mm
Color : White / Black
Material: Stainless Steel, PVDF Coating

Glare Shield Visor



Dimensions : W323 x D230 x H223mm
Color : White / Black
Material : Aluminum

30° Tilt Enhanced Bracket For Multiple Lamp



Dimensions : W476 x D233 x H260mm
Color : White / Black
Material : Stainless Steel, PVDF Coating

Glare Shield Baffle



Dimensions : W323 x D230 x H223mm
Color : White / Black
Material : Aluminum

Right Enhanced Bracket For Multiple Lamp



Dimensions : W476 x D59 x H292mm
Color : White / Black
Material : Stainless Steel, PVDF Coating

Bracket For 4 Set Lamp



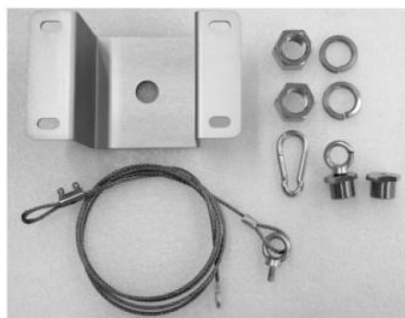
Dimensions : W806 x D609 x H277mm
Material : Aluminum, Stainless Bracket
4 ways rotary on each lamp

Diffuser

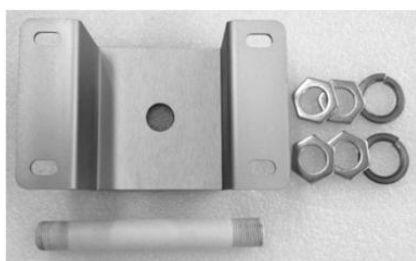


Dimensions : W343 x H85 x D3mm
Material: Stainless Steel, PVDF Coating

Despite bracket for wall mount, LON-ECO offers other accessories for different purpose. Ex: Pendant, Stem for Hi-bay and pole clamp, even customer-design accessories for special requirement.



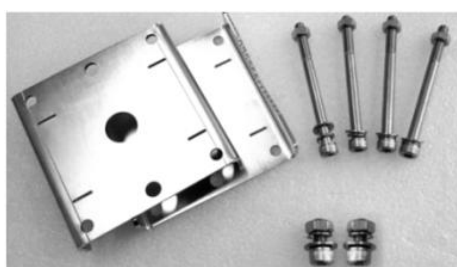
For Hi-bay	AS-W01
Contents	1. Stainless ceiling mount base x1 2. Stainless cable, length adjustable x1 3. Standard cable length 1.2M, customer made length is available
Purpose	Pendant for Hi-Bay



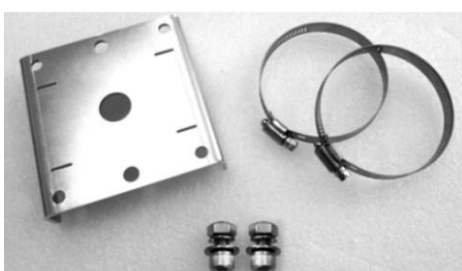
For Hi-bay	AS-S01
Contents	1. Stainless ceiling mount base x1 2. SPCC tube x1 3. Standard cable length 1.2M, customer made length is available
Purpose	Stem for Hi-Bay



For Hi-bay or Others	AS-D01
Contents	1. Stainless cable, adjustable x1 2. Standard length 1.2M, customer made length is available
Purpose	Anti-drop cable for ceiling mount



For Clamp on Pole	AS-C01
Contents	1. Stainless Pole Clamp set x2 2. Stainless long screws 3. Supporting pole diameter: 30mm~80mm
Purpose	Pole Clamping



For Clamp on Pole	AS-C01
Contents	1. Stainless Pole Clamp set x1 2. Stainless Clamping Belt x2 3. Supporting pole diameter: 25mm~82mm
Purpose	Pole Clamping



DALI Ready

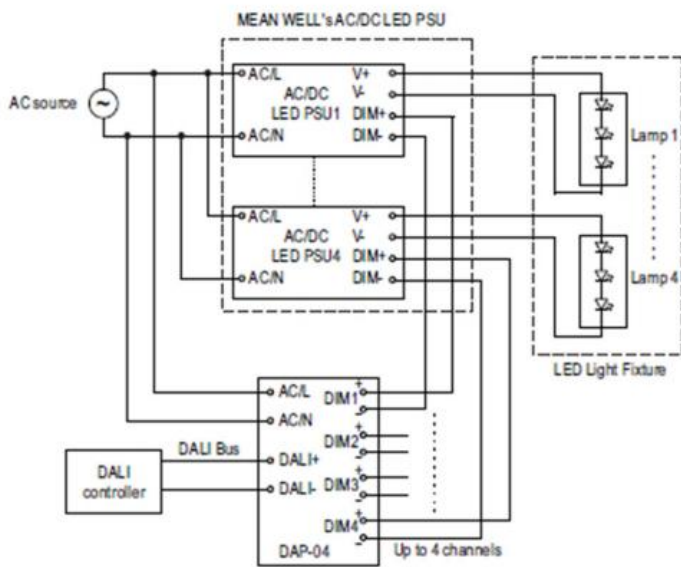
LON-ECO series supports DALI (Digital Addressed Lighting Interface) control via DAP-04 DALI-PWM converter. (optional)

DAP-04 has 4 DALI channels can connect with MeanWell 3 in 1 dimming line to do PWM dimming control. Its scalable connections expand its application to many kinds of scenarios.

The dimming range can be between 1%~100% (suggested not lower to 3% to prevent from LED flickering)



DALI Dimming Control Mode

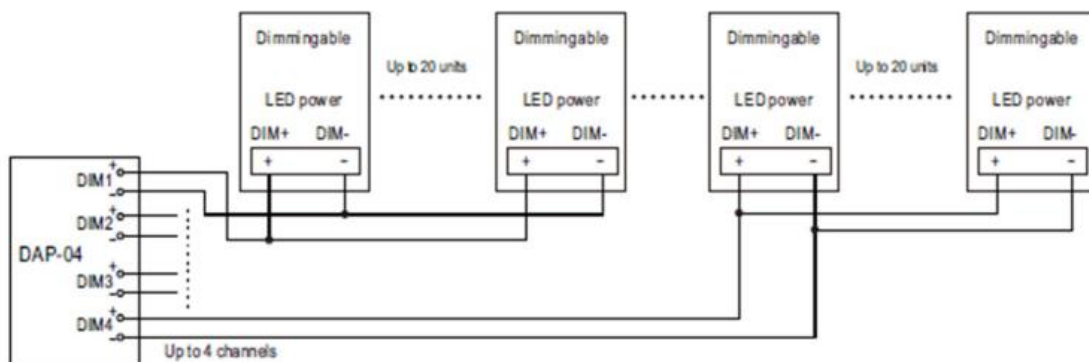


You can use PC or 3rd Party DALI controller via DALI Bus to control every LON-ECO via DAP-04.

In this drawing, each DIM# connect one LON-ECO LED driver with 1- 10V cable.

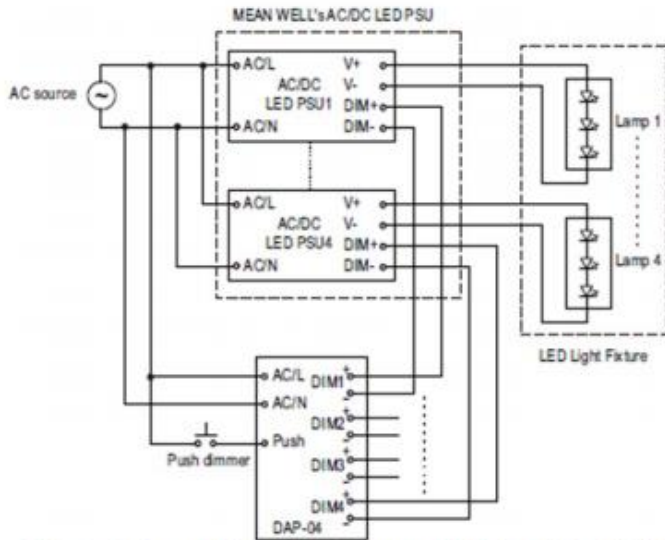
Furthermore, it is able to let each DIM# to connect multiple LONECO 1-10V cable in parallel to achieve "Synchronous controlling".

Synchronous connection





Push Dim Mode



※Note: Only use Normally Open Push Button without light indicator .

Dimming control mechanism

Function	Pushing time
No change of state	<0.05 sec
Turn ON/OFF	0.1~1 sec
Dimming up or down	1.5~10 sec
Setting light to 100%	>11 sec

- Every long pushing action will change the dimming direction.
- Factory default dimming setting : 100%

Under Push Dim mode, it is able to dim LON-ECO via only a Open Push Button without connecting with outer DALI controller and software. It is also suitable to connect using “Synchronous connection” to control up to 80pcs LON-ECO via only one DAP-04.

Dimming with Automatic Relay ON/OFF

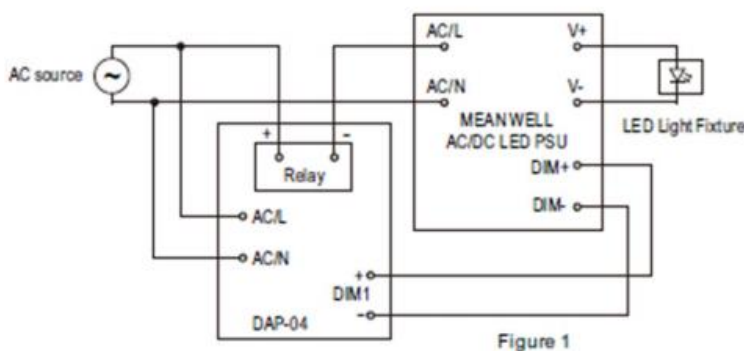


Figure 1

It is possible to turn LON-ECO ON/ OFF automatically according to if there is dimming signal.

It means you don't need to control the ON/OFF in the software or via a switch. DAP-04 built in a relay can be connected with LON-ECO AC input together, when there is a dimming signal, the LON-ECO will be automatically turn ON, and when there is no signal , the light will turn OFF automatically.



Indoors or outdoors professional stadium



Factory / Warehouse



Gymnasium



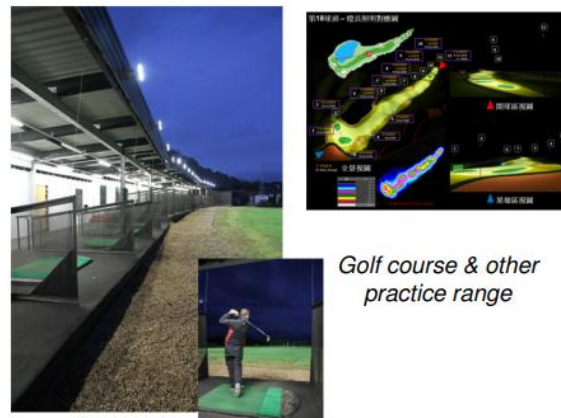
Heavy Duty Machine lighting



Pole light in Airport / Dock / Logistics Center



Long Distance Professional Lighting



Golf course & other practice range