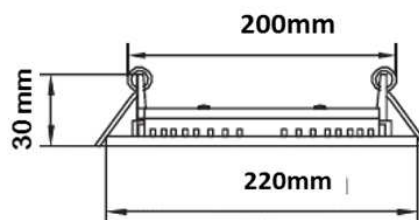


## 24W LED Down Light (Square)



Dimension:



### Specification

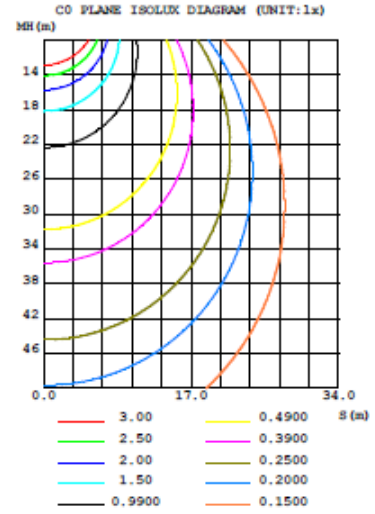
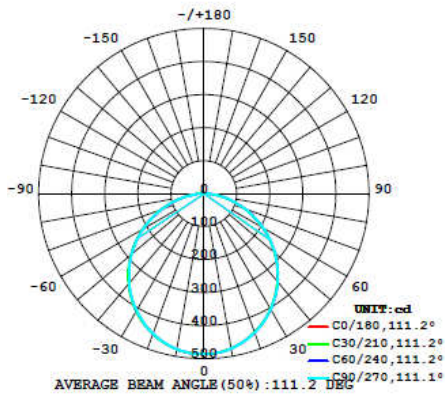
Model No.	LKM-DLNS27S2428
Input Voltage	AC150-240V
Rated Power	24W±10%
Luminous Flux	2400lm
Luminous Efficiency	100 lm/W
Color Temperature (CCT)	4000±500K
CRI	Ra80
Working Temperature Rang	-20°C~ +40°C
Power Factor	>0.5
Life Time	≥ 15000 hrs
Beam angle	120°
Cut-out	200*200mm
Dimensions(Dia*H) /Weight	220.0*220.0*30.0 mm /265±20 g
LED driver	Fixed output
Materials	Thermally Conductive Plastic / PC Diffuser

#### Remarks

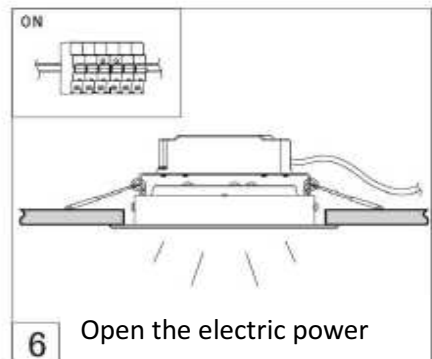
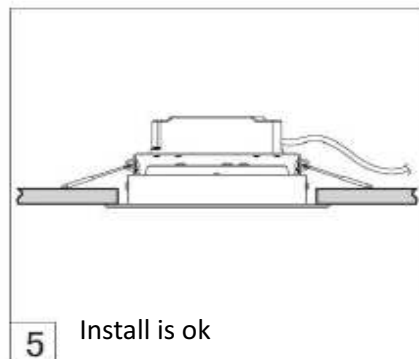
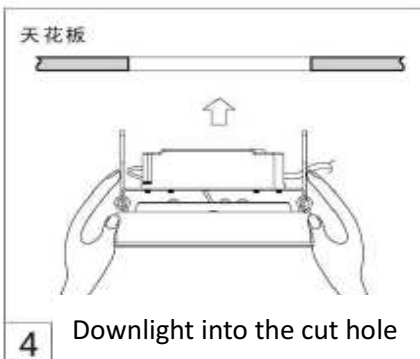
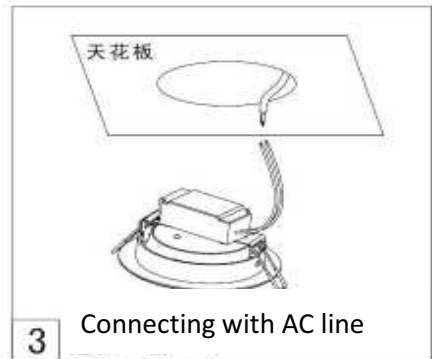
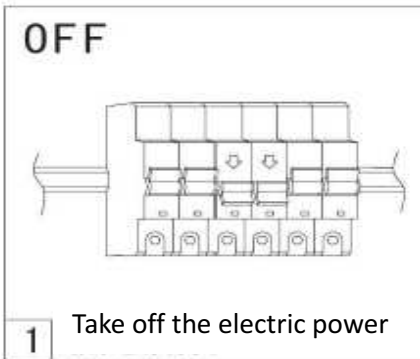
- 1.The tolerance of luminous flux is ±10%. 2.The dimension tolerance is ±5mm.
- 3.The appearance and specifications of the product may be modified for improvement without notice.
- 4.All parameters of products are based on the measurement of Laster Tech laboratory.

Laster Tech Corporation LTD. Building F No.4,Minxiang St., Zhonghe City, Taipei County 235, Taiwan V1.0

## Light Distribution Curve



## Installation Instruction



## Attention

1. Don't expose this luminaire at the high temperature and high humidity environment.
2. Don't connect this luminaire to the higher voltage than maximum input voltage as specification, otherwise the diver will be damaged. The maximum input voltage for AC150~240V/50~60Hz
- 3 After opening the box, check inside all the accessories that need to be set up.
4. Any material used to fix and support the lighting should be strong and non to ensure safety.
5. When installing the lighting, please make sure the safety space above the lighting up to the ceiling.  
(The suggested minimum distance is 35cm.) Keep the lighting away from any flammable items and make Sure the ventilation is good.
6. Start the installation or maintenance only after disconnecting the power.
7. To ensure safety, the installation is suggested to be done by professional technicians.

## Package

Packing	Dimension(mm)	Quantity(pcs)
Large Carton	510*430*470	40