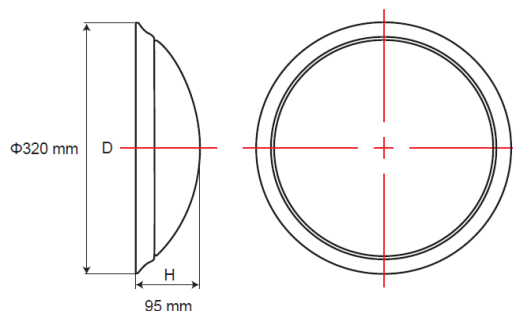




LED Ceiling Light (12W)



Dimension:



Model No.	LOK-CLCA12F8	LOK-CLWA12F8
Input Voltage	100 ~ 240V	100 ~ 240V
Rated Power	12 W±10%	12 W±10%
Luminous Flux	1080 lm	1020 lm
Luminous Efficiency	90 lm/W	85 lm/W
Color Temp.	6000±500 K	3000±500 K
CRI	80	80
Power Factor	>0.9	>0.9
Beam Angle	120°	120°
Life time	30000 hrs	30000 hrs
Dimensions	Ø 320X 95mm	Ø 320X 95mm
Weight	650±20g	650±20g
Operating Temp.	-20°C ~40°C	-20°C ~40°C
Material	Iron+ PC Cover	Iron+ PC Cover

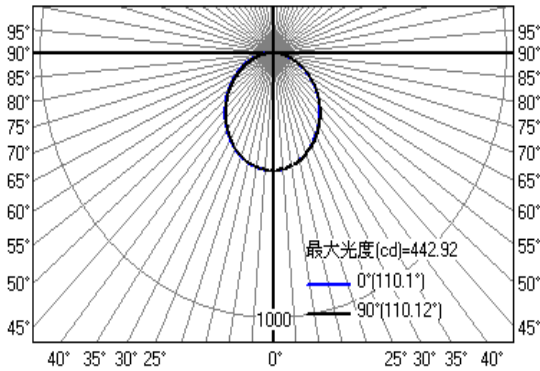
Remarks

- 1.The tolerance of luminous flux is ±10±%.
- 2.The dimension tolerance is ±5mm.
- 3.The appearance and specifications of the product may be modified for improvement without notice.
- 4.All parameters of products are based on the measurement of Laster Tech laboratory.

Laster Tech Corporation LTD. Building F No.4,Minxiang St., Zhonghe City, Taipei County 235, Taiwan V1.0

www.sweeo.com TEL:+886-2-22226112 FAX:+886-2-22226196

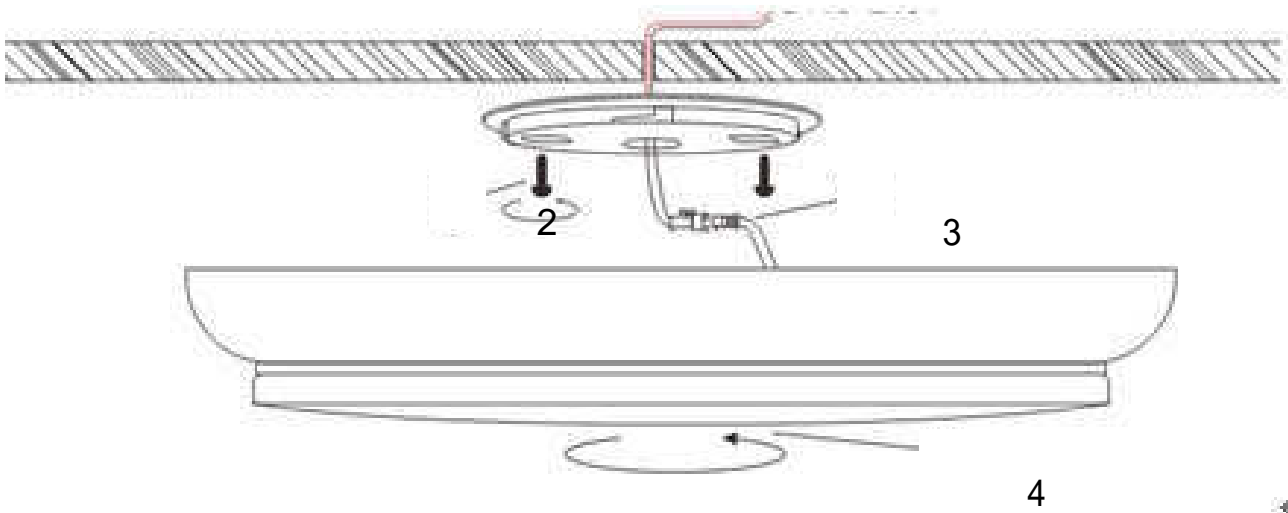
LUMINOUS INTENSITY DISTRIBUTION



Lux at a Distance			
1 m	441 lx	286 cm	286 cm
2 m	110 lx	573 cm	573 cm
3 m	49 lx	859 cm	859 cm
4 m	28 lx	1145 cm	1146 cm
5 m	18 lx	1432 cm	1432 cm
6 m	12 lx	1718 cm	1719 cm
7 m	9 lx	2004 cm	2005 cm
8 m	7 lx	2291 cm	2292 cm
9 m	5 lx	2577 cm	2578 cm
10 m	4 lx	2863 cm	2865 cm

Vert. Spread: 110.1 deg. Horiz. Spread: 110.1 de

Installation Instruction



1. Turn off the power
2. Please fix the base on the stable and fixed ceiling, or it will fall or damage.
3. Please connect the input power carefully, incorrect connection will cause fire accident.
4. Keep the lamp body card slot match base card buckle, rotate from left to right, can be easily installed.
5. Please confirm if it installs correctly, then turn on.

Packing Info:

Model	Inner Box Size	Carton Size	Q'ty/CTN	GW/ CTN
12W	325*97*325mm	515*340*345mm	5	5.2 KG