

Kmini-SERIES

**SWEEÖ**<sup>®</sup>  
LED Lighting



RoHS  
Compliant

LM-80

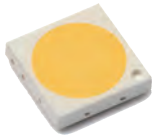
IP66  
IK10

LUMILEDS  
The Brighter Choice

INVENTRONICS  
LED DRIVER inside

**5** YEAR  
WARRANTY

**LED STREET LIGHTS**



**High-efficacy LED light source**

Philips Lumileds 3030 2D  
Greater than 165lm/W high efficacy,  
illumination grade LED light source.

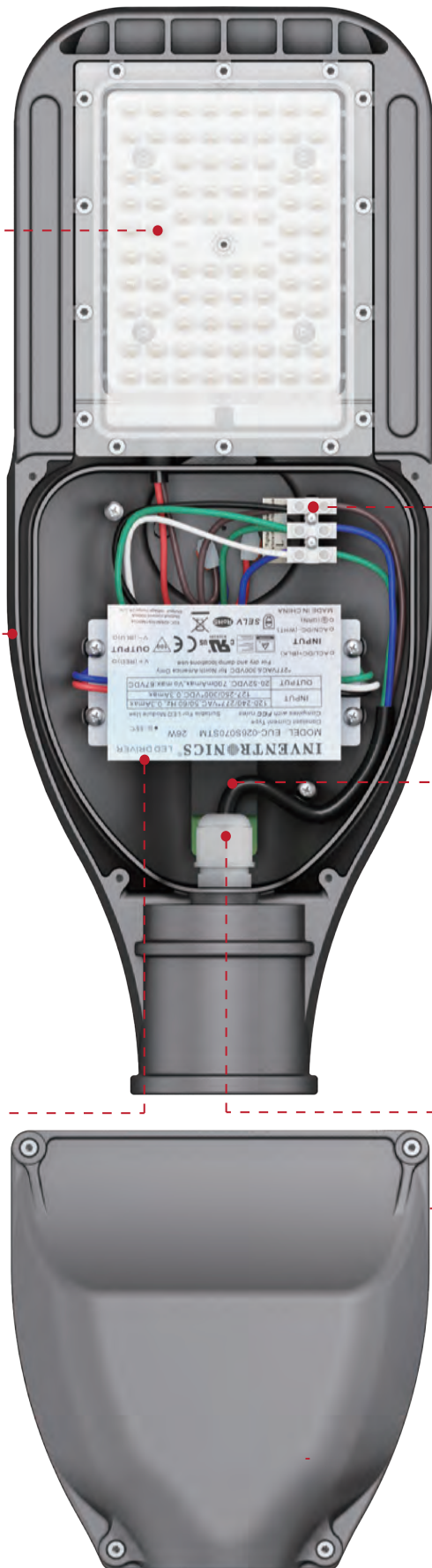


**Photocell available**

Lamp will Auto turn on and  
off according to lux difference.



High-end Inventronics LED driver,  
integrate dimming  
function and 4KV /6KV  
surge protection. Provide excellent  
performance and lifespan.



**Connect base**

Disassemble easily which  
reduces maintenance costs.



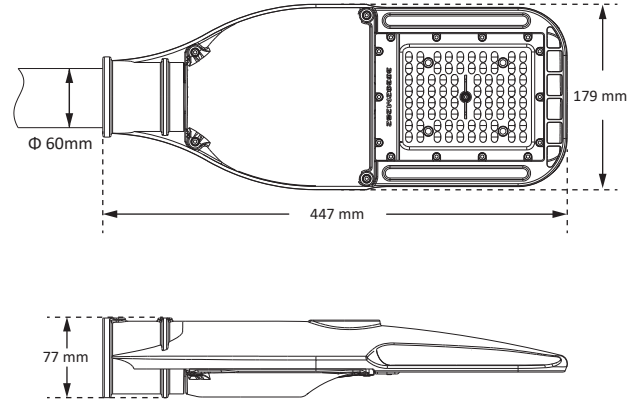
**Surge protection device(10KV)**

To provide more reliable guarantee  
for LED driver,  
extend the life of the product.



**Waterproof connector**

Use M16 waterproof connector to  
ensure that the driver box is  
waterproof and damage caused  
by excessive force.



### Electrical & Photometric

Series	Model	LED Qty/ Current	Power	Luminaire efficacy (+/- 5%)	Lumen Output (+/- 5%)	Input Voltage	LED Brand	Driver Brand	Dimming 0(1)-10V	Light Distributions	CCT (K)	Surge Protection Device	Lifetime (h)
Kmini	LOZ-LD28Kmini-XXXXXX	40units/ 100mA	28W	125 lm /w	3500 lm	100-240V /277V AC 50 /60Hz	Philips Lumileds 3030 2D	Inventronics	x	TypeII, Medium	3000* 4000 5000 5700	10KV	>100,000 (L70)
	LOZ-LD38Kmini-XXXXXX	56units/ 100mA	38W	120 lm /w	4560 lm				v				
	LOZ-LD57Kmini-XXXXXX	80units/ 105mA	57W	120 lm /w	6840 lm				v				

\* Luminous Efficacy of 3000K is 5% lower than other CCTs.

\* "XX" in Model represents different CCT.

\* "XXXX" in Model represents different lighting distributions.

### Working Environment & Packing

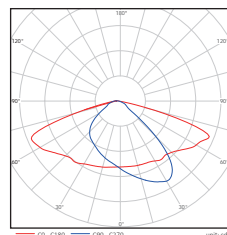
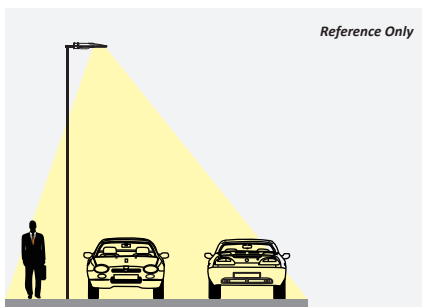
Model	Working Environment	Storage Temperature	Rating	CRI	Power Factor	Power Efficiency	Material	Pole Diameter (mm)	Product Dimensions (mm)	Carton Size (mm)	N.W (kg)	G.W (kg)		
LOZ-LD28Kmini-XXXXXX	-40 °C ~ +50 °C 10% ~ 90%RH	-40 °C ~ +50 °C	Class I IP66 IK10	>70	>0.95	>90%	Housing: Die-cast aluminum Lens: PC	60	447*179*77	465*200*100	2.2	2.6		
LOZ-LD38Kmini-XXXXXX									447*179*77				2.2	2.6
LOZ-LD57Kmini-XXXXXX									447*179*77				2.3	2.7

Note: Above data of weight are all typical values.

### Certification

Manufacturer
ISO9001, ISO14001
Kmini Series
CE, CB, ROHS, ENEC, LM80

### Optics



#### TYPE II

The Type II lens of SWEEÖ Kmini series street light has beam angle of 65\*155 degrees. In the IESNA Standard, the Type II distribution is used for wide walkways, on ramps and entrance roadways, as well as other long, narrow lighting. It is generally applicable to where the width of the roadway does not exceed 1.75 times the designed mounting height.